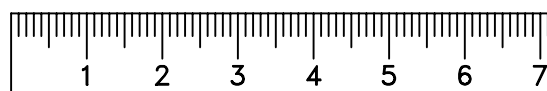
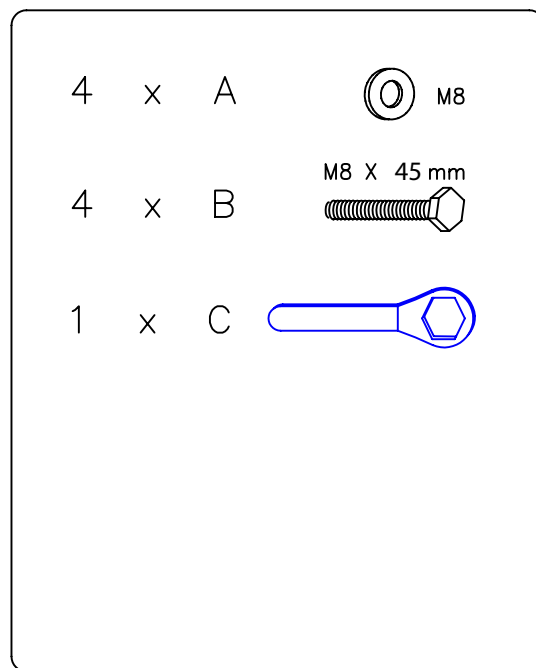
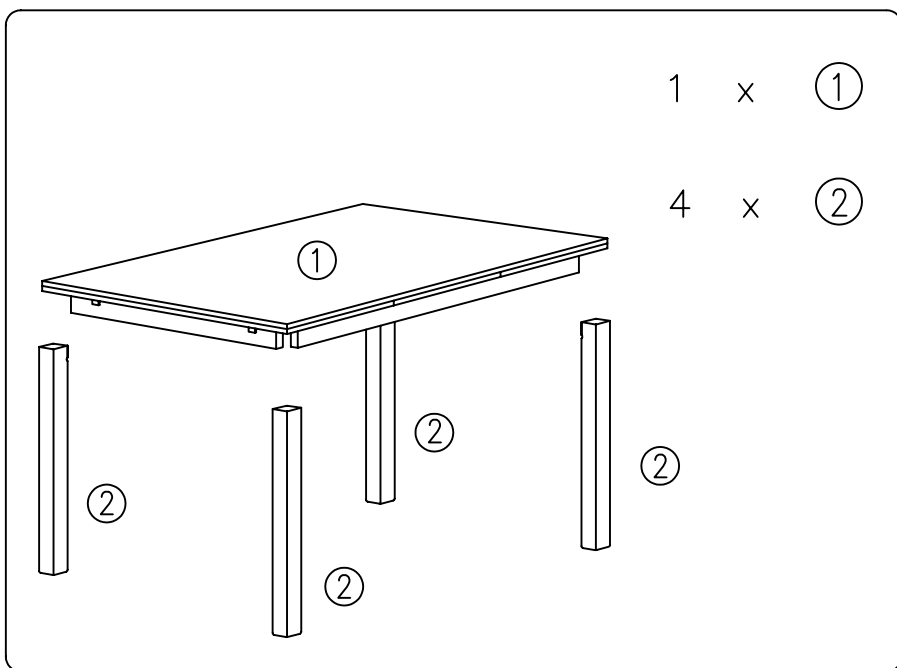
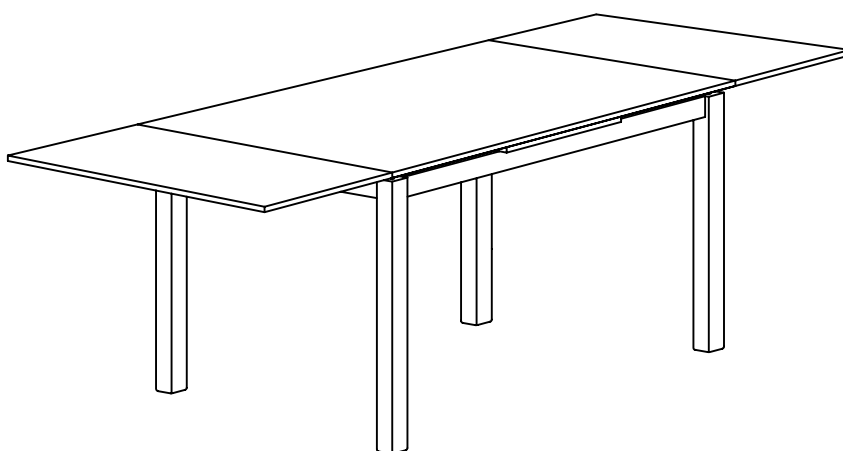
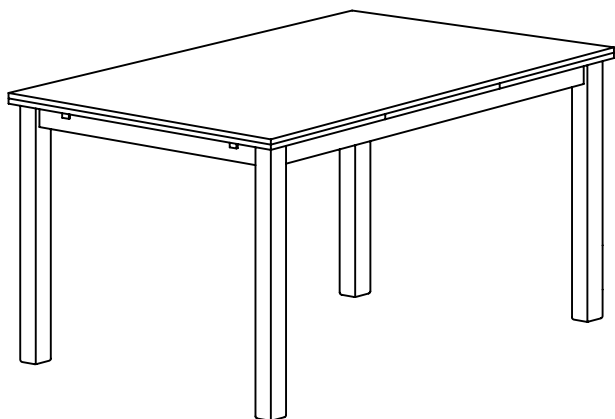
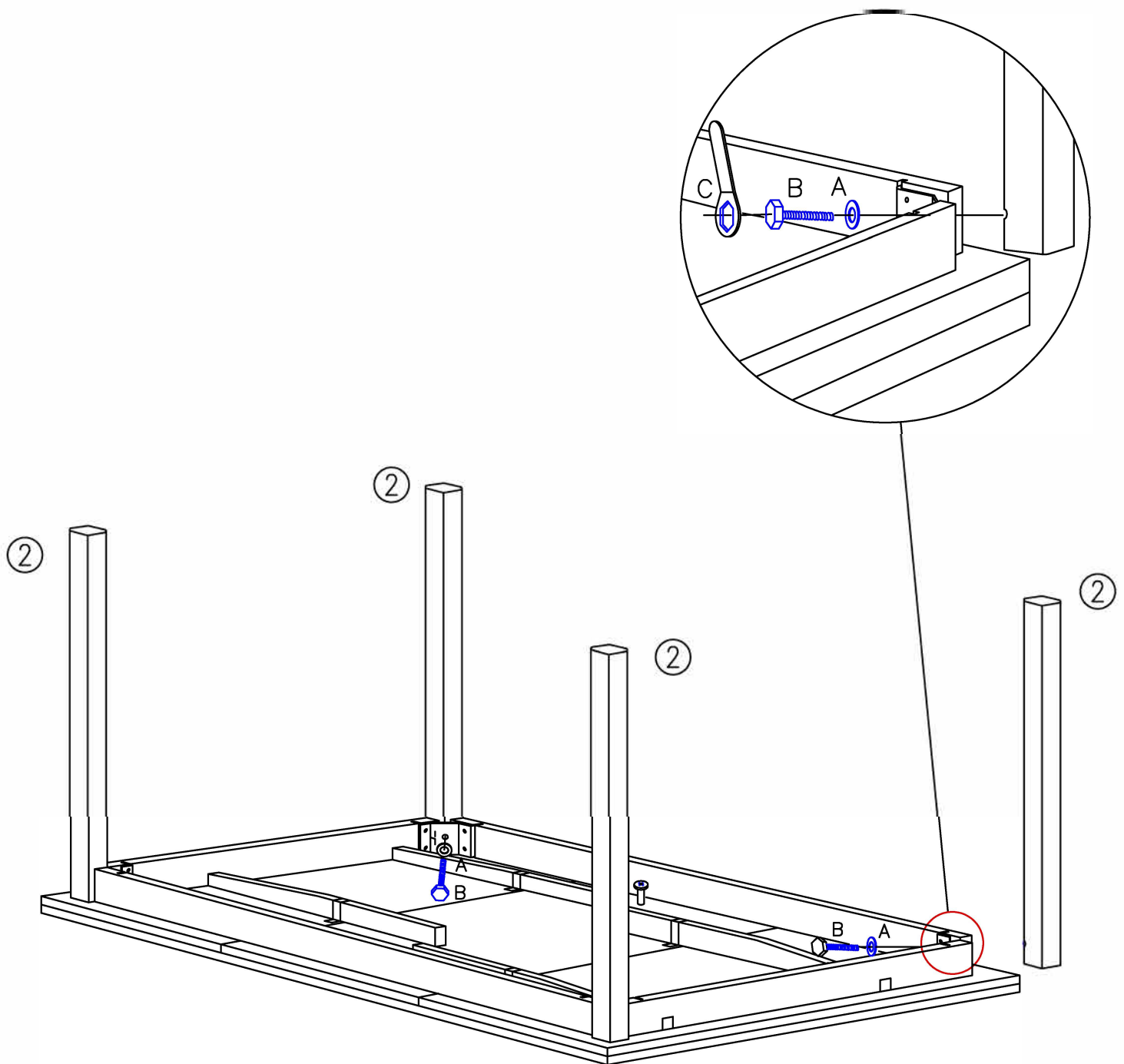


# hammel®

Danish Design by Hammel

648, 664 & 665





**NB!** Efterspænding anbefales ca. 3 måneder efter samling.

**NOTE!** Tightening-up is recommended approximately 3 months after assembling.

**Achtung!** Nachspannung wird nach drei Monaten empfohlen.

#### GENERAL INFORMATION

Never use cleaning abrasives, steel wool or polish. On the contrary, use as mild and lenient a cleaning detergent as possible. Always follow the directions for use provided on the cleaning detergent in question.

Natural wood lacquered surfaces do not stand moisture, heat or alcohol. All spilt liquids must therefore be wiped up immediately.

Never place/use hot-plates, candles, fondue sets or similar inflammable items directly on the table top.